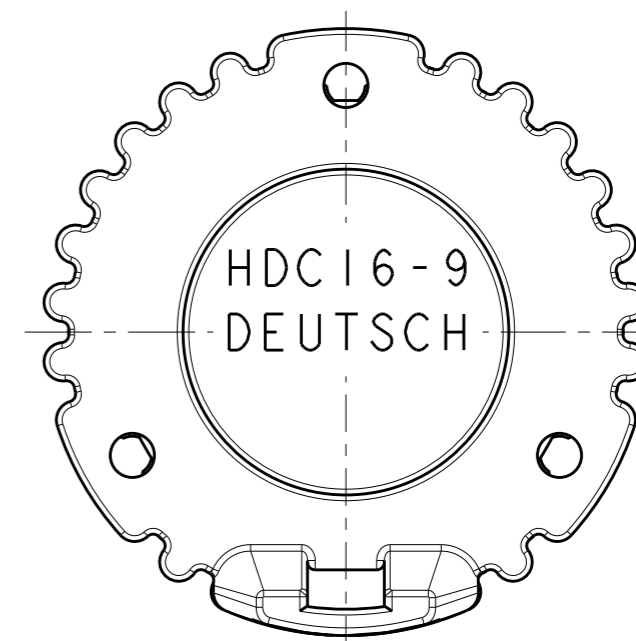
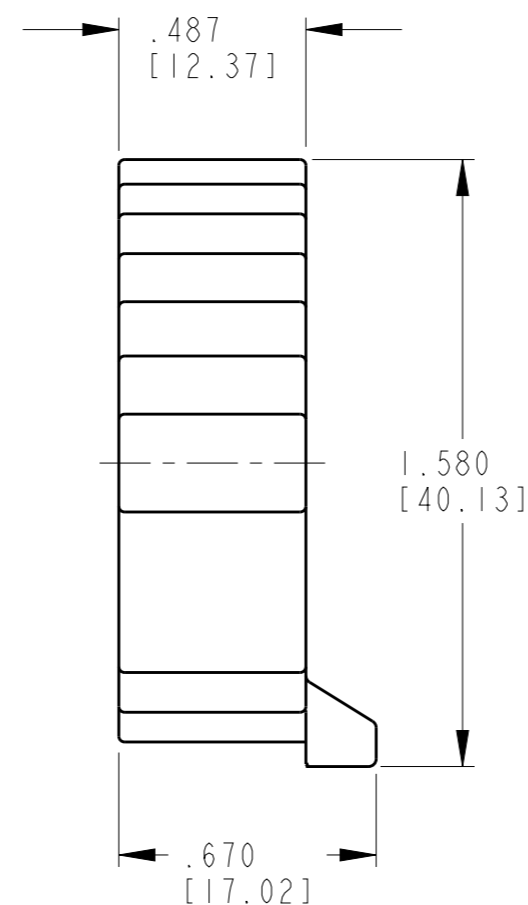
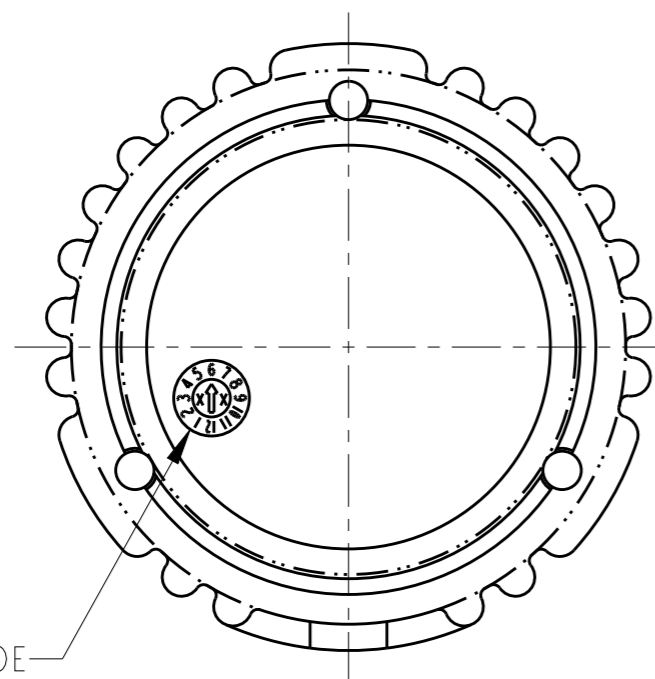
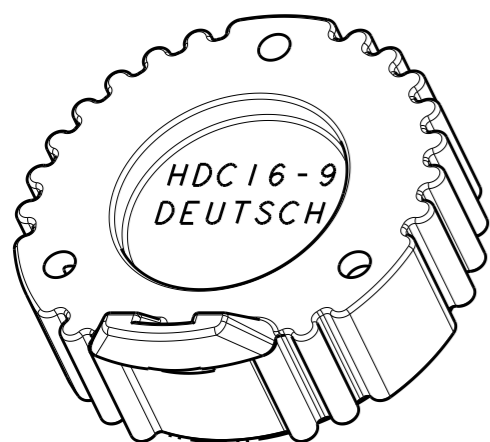


THIS DRAWING IS UNPUBLISHED RELEASED FOR PUBLICATION 2016

© COPYRIGHT 1992 BY TE CONNECTIVITY ALL RIGHTS RESERVED.

LOC	DIST	REVISIONS			
P	LTR	DESCRIPTION	DATE	DWN	APVD
	D	REVISED/REDRAWN PER E.O. P19237	19JUL2006	RM	RDR
	E	REVISED PER E.O. P20888	7JUL2011	IG	RDR
	E1	REVISED PER ECO-14-008033	28MAY2014	JA	DM
	F	REVISED PER ECO-16-001565	03FEB2016	JA	DM



TE INTERNAL PN	DEUTSCH PN
HDC16-9	HDC16-9

- 2 MATERIAL: HOUSING: PA 15% GF (GREY); O-RING: SILICONE (RED)
1. THIS PART MATES WITH ALL SIZE 9, HD10 SERIES RECEPTACLE.

NOTES:

THIS DRAWING IS A CONTROLLED DOCUMENT.		DWN	29APR1992		NAME PROTECTIVE COVER FOR SIZE 9 RECEPTACLE HD10 SERIES		
DIMENSIONS: INCHES [mm]		CHK	01MAY1992				
TOLERANCES UNLESS OTHERWISE SPECIFIED:		APVD	04MAY1992				
0 PLC ± 1 PLC ± 2 PLC ± 3 PLC ±.025 [0.64] 4 PLC ± ANGLES ±0°30'0"		APVD	JEFF ALBERS				
MATERIAL	FINISH	PRODUCT SPEC	APPLICATION SPEC	SIZE	CAGE CODE	DRAWING NO	RESTRICTED TO
2		WEIGHT	9.43g	A3	4AFU8	©-HDC16-9	
Customer Drawing			SCALE	2:1	SHEET	1 OF 1	REV F